



A division of Whitlock Instrument

Digital Lubrication Monitor Model DLM-811 - Part# 000782

Name: DLM-811 Literature
Revision: 1.0 | Revision Date: 19-OCT-2017
Created By: Ray Garcia
File Name: DLM811 LIT_COMPLETE_2017

SINGLE ZONE MONITOR

MONITORS AND RECORDS OPERATION OF DIVIDER BLOCK LUBRICATION SYSTEMS



**DLM-811
SINGLE ZONE MONITOR**

SPECIFICATIONS

Enclosure.....Compliant with Class I Division I Groups B, C, D
 Power.....120VAC or 24VDC@.040 amps
 Alarm Switch.....Form C Contact 120 VAC @ 5 amps N.O. COM. N.C.
 Alarm Time.....Programmable - 3 sec to 250 seconds
 Temperature Range.....0° to +150° F (-32° to +70° C)
 Warranty.....1 Year
 Display.....Cycle Time(Sec), Flow Rate(Pints/Day), Total Strokes,
 Alarm Status, Total System Run Time(Hours)
 Memory.....100 Cycle times Zone #1

DESCRIPTION

The DLM-811 is a microprocessor based single mode monitor for the display and control of progressive in-line lubrication systems. Proximity switch, mounted to the divider block system for Zone #1, signals the DLM-811 each cycle. The time between cycles is displayed on the LCD readout as time into the current cycle as well as the time for the previous cycle. Each 10 seconds the display changes to show the flow rate in pints/day, cycle time, total strokes, and system run time for Zone #1. If the time between cycles exceeds the programmed alarm time an alarm signal is activated. The last 100 cycle times for the Zone #1 lubrication system is stored in permanent memory and can be read out via local control of program buttons.

DISPLAY: Automatically scrolls between Pints/Day, Cycle Time, Total Strokes, System Run Time. Pressing (**INC.**) Will lock display at the present function. Pressing the (**EXIT**) will release the scroll lock and return to automatic.

DISPLAY FUNCTIONS:

Pints/Day ZONE#1

Z1 XXX.X P/D Pints/Day Zone #1

Cycle time ZONE#1

Z1 XXX.X SEC Cycle time in seconds
PREV. XXX.X Previous Cycle time for Zone#1

Total strokes ZONE#1

Z1 XXXXXX STK Total Strokes Zone#1

Total run time in hours

000000.000



Manufactured and Assembled in the USA by:
 Whitlock Instrument
 1300 N. Texas Ave
 Odessa, Texas 79761 USA
 (432) 337-3412 | www.noflo.com

SINGLE ZONE MONITOR (Zone #1 ONLY)

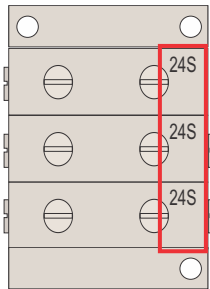
MONITORS AND RECORDS OPERATION OF DIVIDER BLOCK LUBRICATION SYSTEMS

PROGRAMMING FUNCTIONS

Press PRG. and hold PRG. use INC. or DEC. buttons to change functions. Pressing Exit button will return to normal operation.

1)Z1 BLK TOTL= Block Total - Programmable between 18-144. Use INC or DEC Button to set block Total for **Zone #1**.

FIG. 1



First step you will need to add the values stamped on the face of each divider block.

(Example FIG. 1: 24+24+24=72 Block Total)

Once you have your block total you will go to your DLM-811 press and hold PRG. now press INC. you should be on 1)Z1 BLK TOTL now you can release the PRG. button. Press INC. until you have reached your block total value. If you go past your block total value press DEC. until you have reached your value.

3)Z1 ALR SEC= Alarm Time - Programmable between 3-250 seconds. Use INC or DEC Button to set block Total for **Zone #1**.

5)MEMORY Z1= Cycle Time Memory - Use INC or DEC Button to view last 100 cycle times for **Zone #1**.

NOTE: Memory is permanent, will not be lost in case of power failure.

7)RESET?_= System Reset - Press the INC or DEC Buttons at the same time to reset total strokes and hours.

DISPLAY: Automatically scrolls between Pints/Day, Cycle Time, Total Strokes, System Run Time.

Pressing (INC.) Will lock display at the present function.

Pressing the (EXIT) will release the scroll lock and return to automatic.

Four(4) panel mounted buttons are used to change the setup parameters.

Program menu items are accessed by pressing the PRG button.

Pressing the PRG and either INC. or EXT at the same time will access the other menu items.

The INC. and EXT buttons will change a menu item slowly at first then rapidly if held down.

The exit button will return to the display mode if pressed at any time.



Manufactured and Assembled in the USA by:
Whitlock Instrument
1300 N. Texas Ave
Odessa, Texas 79761 USA
(432) 337-3412 | www.noflo.com

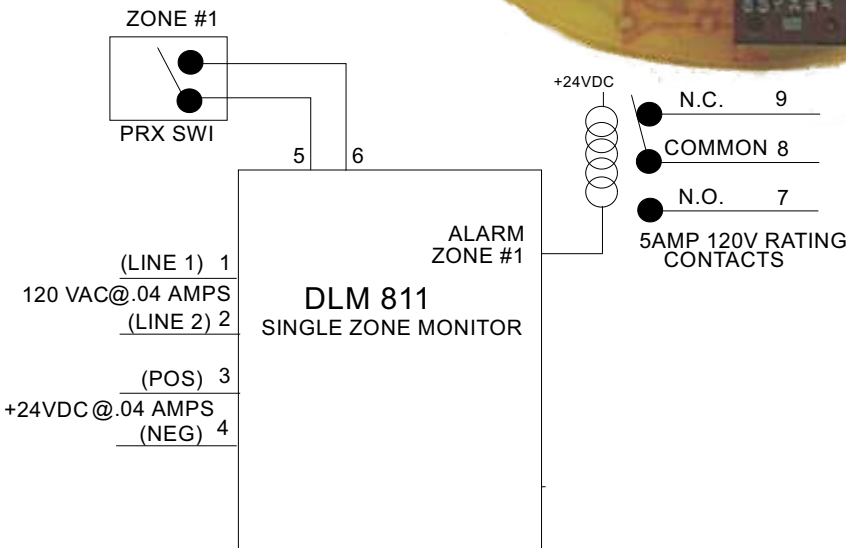
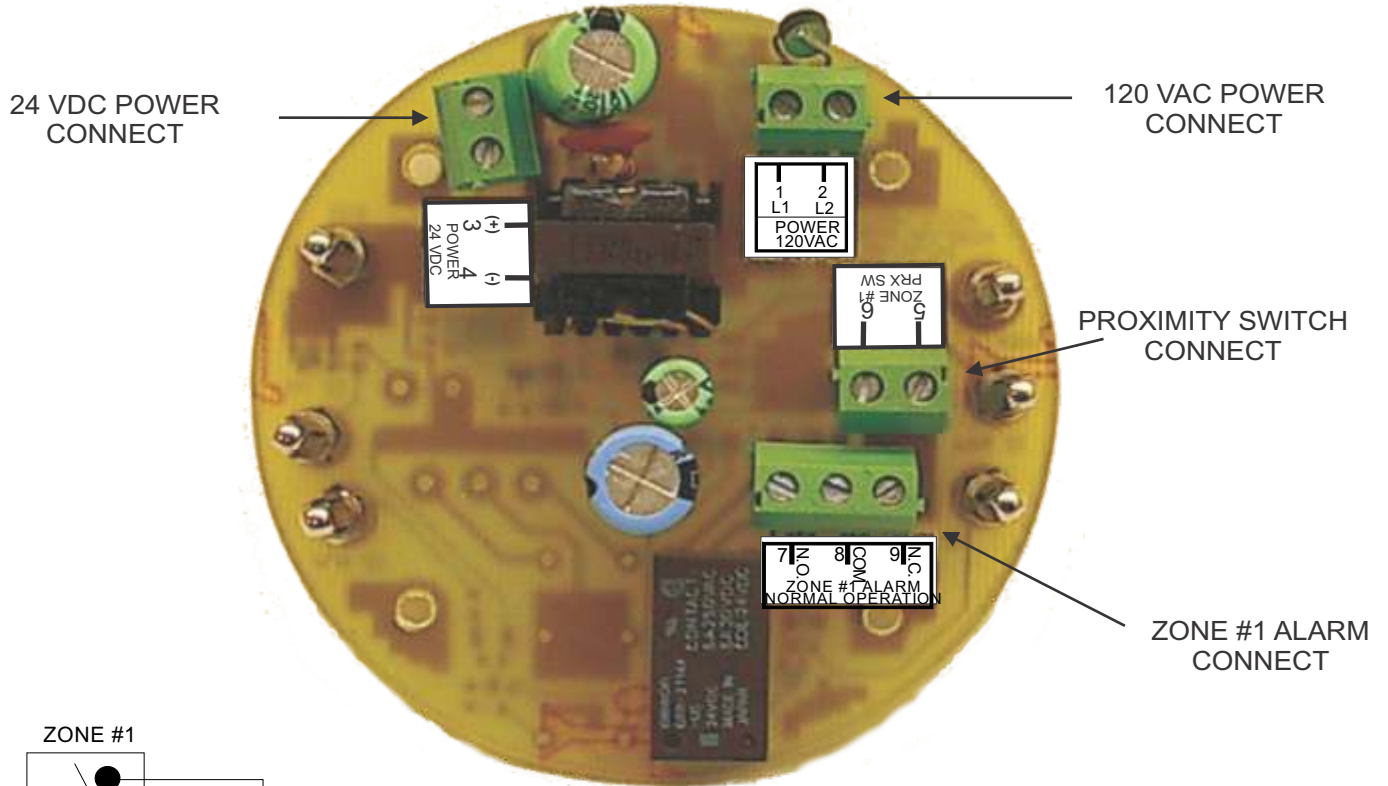


A division of Whitlock Instrument

Digital Lubrication Monitor Model DLM-811 - Part# 000782

Name: DLM-811 Literature
Revision: 1.0 | Revision Date: 19-OCT-2017
Created By: Ray Garcia
File Name: DLM811 LIT_COMPLETE_2017

SINGLE ZONE MONITOR (Zone #1) WIRING



Terminal Identification

1. LINE 1 (120 VAC)
2. LINE 2 (120 VAC)
3. POSITIVE (24 VDC)
4. NEGATIVE (24 VDC)
5. ZONE #1 PROXIMITY SWITCH
6. ZONE #1 PROXIMITY SWITCH
7. ZONE #1 ALARM NORMALLY OPEN
8. ZONE #1 ALARM COMMON
9. ZONE #1 ALARM NORMALLY CLOSED

ALARM CONTACTS SHOWN
IN OPERATIONAL MODE

POWER: 120 VAC OR +24 VDC
BUT NOT BOTH

RELAYS ARE FAILSAFE AND
WILL OPEN ON POWER LOSS



Manufactured and Assembled in the USA by:
Whitlock Instrument
1300 N. Texas Ave
Odessa, Texas 79761 USA
(432) 337-3412 | www.noflo.com

*ALL TRADEMARK NAMES ARE THE PROPERTY OF THEIR RESPECTIVE COMPANIES AND ARE NOT ASSOCIATED WITH WHITLOCK INSTRUMENT.