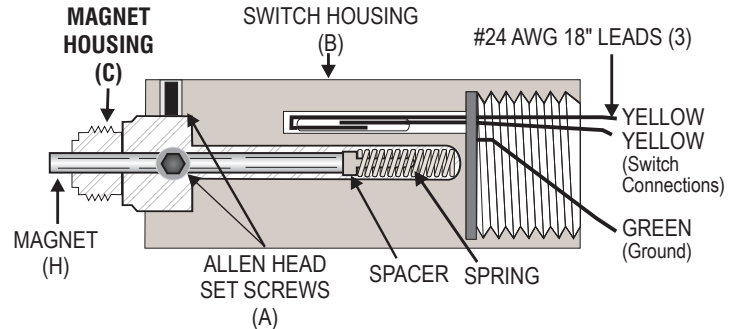
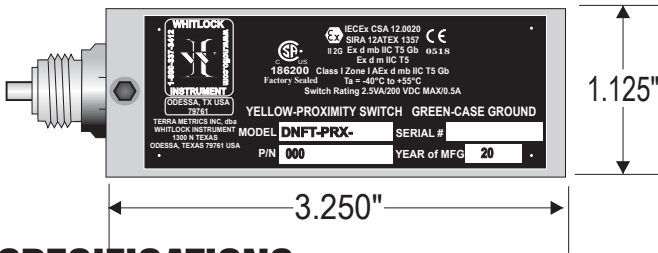




PROXIMITY SWITCH

DNFT-PRX

Name: DNFT PRX Literature
 Date of Revision: 11/04/2013
 Revision: 1.3
 Created By: AR / Approved by: RG
 File: PRX_LIT



SPECIFICATIONS

Part Number.....000169
000170
000171
000172

Material.....Stainless Steel, Aluminum
 Temperature Range.....-40° C to +55° C
 Switch Rating.....2.5 VA / 200 VDC ½ AMP
 MAX 125 VAC MINIMUM BREAKDOWN 300 VDC
 Epoxy Encapsulated.....UL LISTED EL-CAST

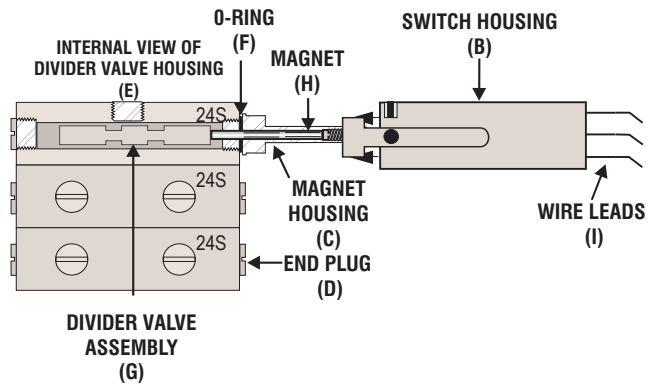
RATINGS

IECEx CSA 12.0020
 SIRA 12ATEX 1357
 II 2G Ex d mb IIC T5 Gb
 Ex d m IIC T5
186200 Class I Zone I AEx d mb IIC T5 Gb
 Factory Sealed Ta = -40°C to +55°C
 Switch Rating 2.5VA/200 VDC MAX/0.5A

FOR
TRABON, LINCOLN
MANZEL & DROPSA
DIVIDER BLOCK LUBRICATION SYSTEMS

INSTALLATION AND ADJUSTMENT PROCEDURE

- Loosen all (2) Allen head set screws (A) on switch housing (B) and remove magnet housing (C). Do not remove magnet, spring, and spacer from magnet housing.
- Remove end plug (D) from divider valve where proximity switch will be installed. Proximity switch can be installed on any available divider valve section.
- Screw magnet housing (C) into end of divider valve. Torque to 15 foot pounds max. Be sure O-ring or metal gasket (F) is in place on magnet housing (C) if required.
- Slide switch housing (B) all the way onto magnet housing (C). Connect ohmmeter to yellow switch leads. Do not tighten set screws at this time.
- To properly adjust switch housing (B), divider valve assembly (G) must be cycling so magnet (H) is moving back and forth. This can be achieved with lubrication system functioning or by manually pumping clean oil through divider valve assembly with a hand pump.
- If a cycle is not detected, adjustment is made by sliding switch housing (B) out in 1/16" increments. Continuity meter connected to yellow wires will indicate a switch closure. Adjust 1/16" out until correct adjustment is confirmed. Torque set screws to 25 inch pounds max.
- Use 10 to 12 inches of flexible conduit on the switch housing for ease of adjustment or maintenance. All conduit and connections should be appropriate for area classification. CAUTION: Conduit and fittings must be supported to avoid bending magnet assembly.



ORDERING INFORMATION

MODEL	DESCRIPTION	PART NUMBER
DNFT-D-PRX	DROPSA	000169
DNFT-L-PRX	LINCOLN - O-RING STYLE	000170
DNFT-TO-PRX	TRABON - O-RING STYLE "1995" AND LATER	000172



Manufactured and Assembled in the U.S.A. By Terra Metrics, Inc dba Whitlock Instrument
 1300 N Texas - Odessa, Texas 79761

*ALL TRADEMARK NAMES ARE THE PROPERTY OF THEIR RESPECTIVE COMPANIES AND ARE NOT ASSOCIATED WITH DELIRON LIMITED.