



**WHITLOCK INSTRUMENT**  
 1300 N. Texas  
 Odessa, TX 79761  
 915.3373412 Fax 915.335.5926  
 1.800.337.3412 www.noflo.com

512LIT Lube Purge Gun  
 10.10.01

# LUBRICATION PURGE GUN

P/N: 000512



## SPECIFICATIONS

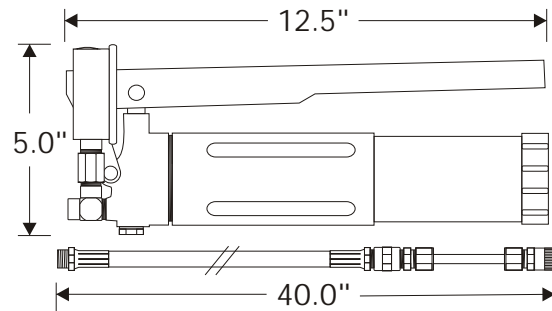
**Lubricant**.....Oil  
**Lube Gun Chamber Material**..... Aluminum/  
 Clear Plastic  
**Lube Gun Body Material**.....Steel  
**Rated Pressure**.....5000 PSI  
**Chamber Capacity**.....1Pint (0.4 L)

## DESCRIPTION

The Lubrication Purge Gun is an easy to use, lever action hand pump lubricator. It can be used to manually purge oil systems, test oil systems, or test the condition of a divider valve system. It's rugged cast iron head and aluminum chamber make it very durable and long lasting. The custom machined aluminum housing has slotted "windows" which enables the user to visually see the remaining oil level. This allows the user to refill the chamber before it is emptied, preventing air from being pumped into the system. The 40 inch hose assembly includes it's own built in check valve and is rated for 5000 psi as shown on the liquid-filled pressure gauge.

- SLOTTED WINDOWS ENABLE USER TO SEE REMAINING OIL LEVEL
- RUGGED CAST IRON HEAD
- BUILT IN CHECK VALVE
- CUSTOM MACHINED ALUMINUM CHAMBER
- 40 INCH HOSE ASSEMBLY FOR HARD TO REACH PLACES
- 5000 PSI OIL-FILLED PRESSURE GAUGE

## DIMENSIONS



**WHITLOCK INSTRUMENT**  
 1300 N. Texas Odessa, TX. 79761  
 (915) 337-3412 Fax (915) 335-5926  
 1-800-337-3412 www.noflo.com

DISTRIBUTED BY